

NG200 SOIL MIXING STABILISATION METHOD

Stabilisation is a geotechnical method to improve the bearing capacity and stability of marginal ground. Clay, peat, silt, sediment, sludge, or dredged material can be transformed into solid ground.

Stabilisation is quick and cost effective compared to other traditional methods such as: excavation of incompetent soil and replacement, or compaction by surcharge.

The NG Stabilisation system allows you to treat and quickly access low bearing capacity ground for infrastructure development. The stabilisation method can also be used to remediate contaminated property.

The technology immobilizes or destroys hazardous constituents to permit reuse or redevelopment of the property.

Benefits of stabilisation with NG equipment

Fast ground improvement, stabilised ground can support advancing equipment and structures often within a day.

Sustainability - Stabilisation facilitates reuse of existing on-site material

No need to use off-site material as replacement fill, avoids excavation and transportation costs

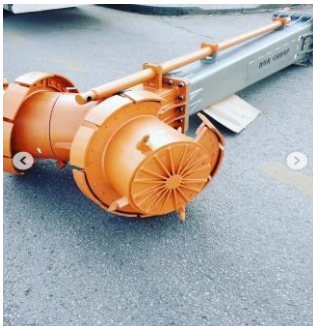
Conserves landfill space, unsuitable soil is treated, not disposed

Lower carbon footprint than excavation, transportation and replacement

Cost-effective use of binders, accurate binder dosing and thorough mixing

Industrial by-products such as fly ash and slag may be used

MODEL	EXCAVATOR TYPE	WORK PRESSURE	SPEED	POWER
NG-200	20-30T	32MPA	0-100rpm	110kw
NG-300	30-45T	32MPA	0-100rpm	160kw



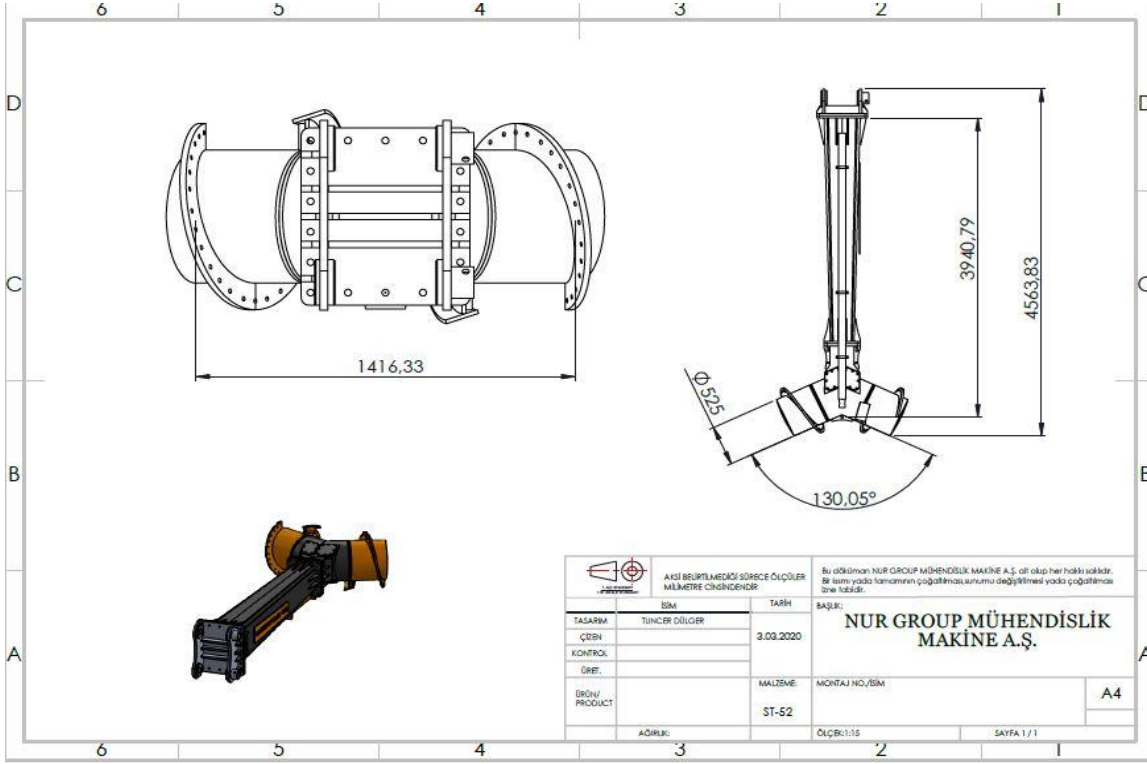
NG-200

Working Depth : 4-6 Meter

Hydraulics (Required) : 25-35Mpa (3,200-5,400psi),200-300 l/min (50-80 gpm),160kW (210 hp) Max Power

Weight: 2.150kg + Fabricated mountplate 400kg

Option : 2m extension boom



Nur Group Engineering - NG Attachments

Adress: Uzaycagi Street 1271/16 Yenimahalle /Ostim Ankara TURKEY

Telephone: +903124406034 Fax:+903124406076

E-Mail: info@nurgroup.com.tr

Web: www.ngattachments.com